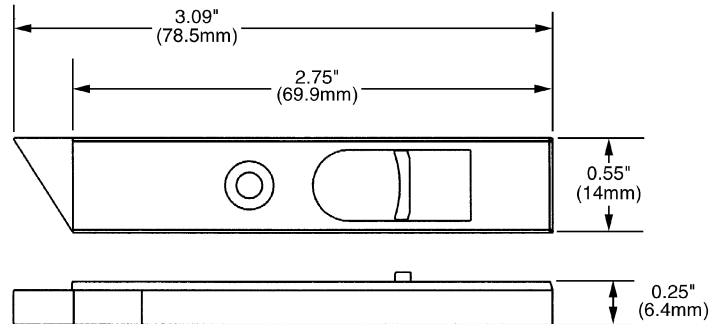
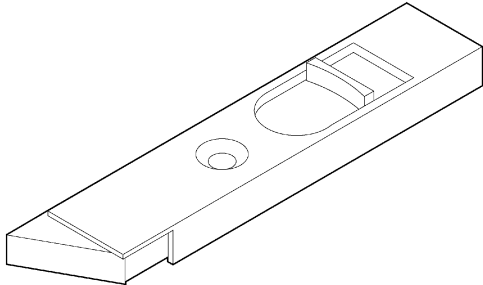
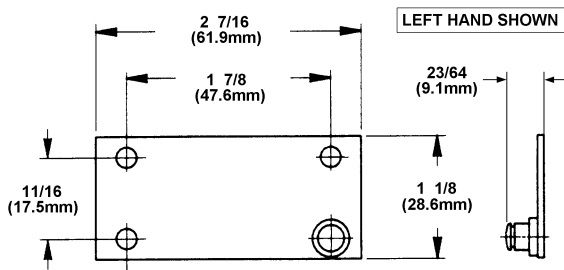


FIG 1. TILT LATCH (200-41195) & (200-41196)



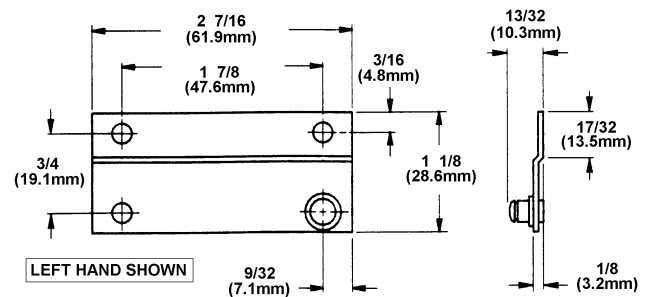
299-41196: LEFT HAND
299-41195: RIGHT HAND

FIG 2. FLAT STUD BRACKET (299-100) & (299-101)



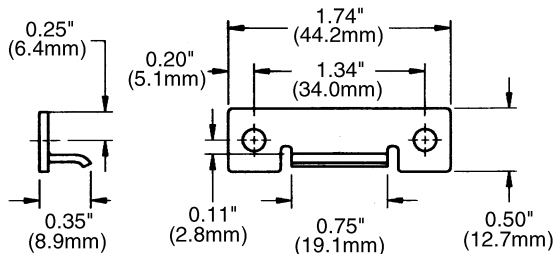
299-100: LEFT HAND
299-101: RIGHT HAND

FIG 3. BENT STUD BRACKET (299-114) & (299-115)



299-114: LEFT HAND
299-115: RIGHT HAND

FIG 4. SNUBBER (299-31496)



RECOMMENDED SCREWS:
#8 x0.75" SLOTTED, PAN HEAD SHEET METAL SCREWS.

Form No. 031015 - Previous editions now invalid.