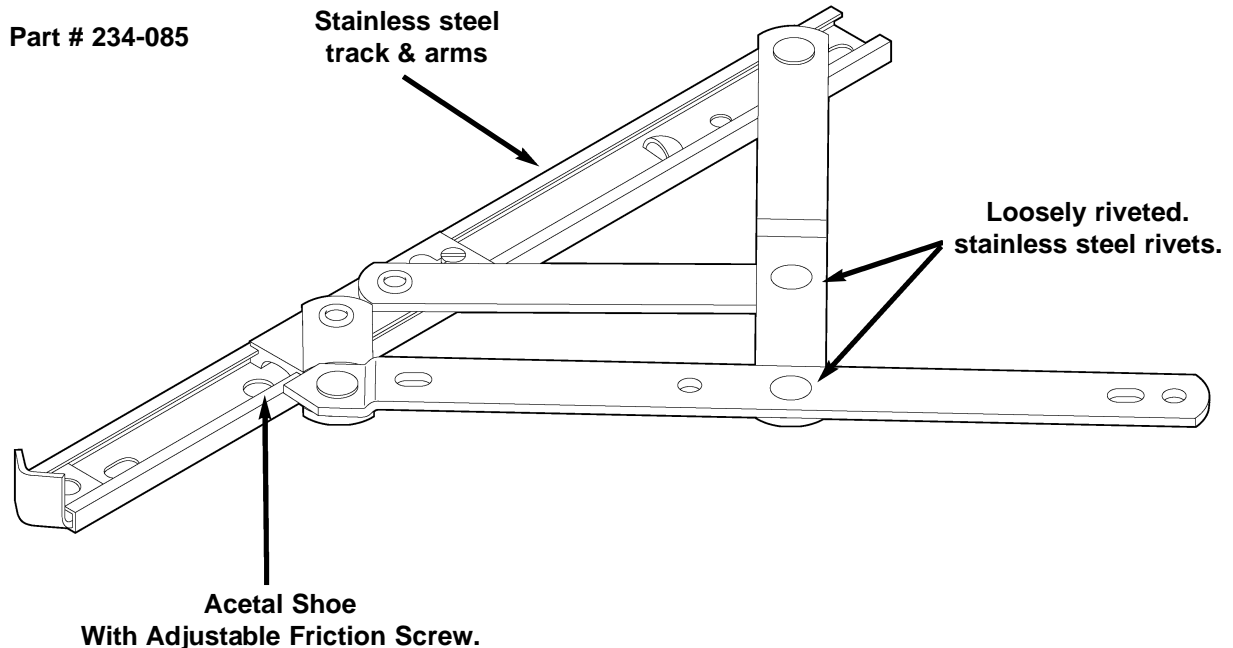


234 HEAVY DUTY 4 BAR HINGE



Awning **C**asement



This heavy duty stainless steel 4-Bar Hinge from DEAL is designed for use with awning, casement, and projected windows with sash weighing up to 90 lbs. (Awning & Projected). This hinge is designed to project the sash out as it pivots, allowing the sash profile to overlap the frame, giving a better seal for the window in the closed position.

In many homes, the ability to clean the window without having to go outside is very important. One of the great features of this hinge is that it pivots and allows approximately 5.5" - 6" of access to the outside of the sash. This access allows the user easy cleaning of the outside.

The black acetal shoe with an adjustable friction screw has loosely riveted pivot points give it frictionless operation for casement windows. However, the level of friction can be adjusted by the turn of the friction screw for awning and projected window applications.

MATERIAL: Rivets, tracks and bars made of hardened stainless steel. The hinges have been salt spray tested for 800 hrs. as per ASTM B117-90. Sliding shoe made of black acetal.

SCREWS: 6 - #10 Pan head stainless steel screws should be used per hinge. Length and thread will depend on each window profile.

(Length and thread to be determined by profile design). We recommend that mounting screws should pass through two vinyl walls or one vinyl and one insert wall.

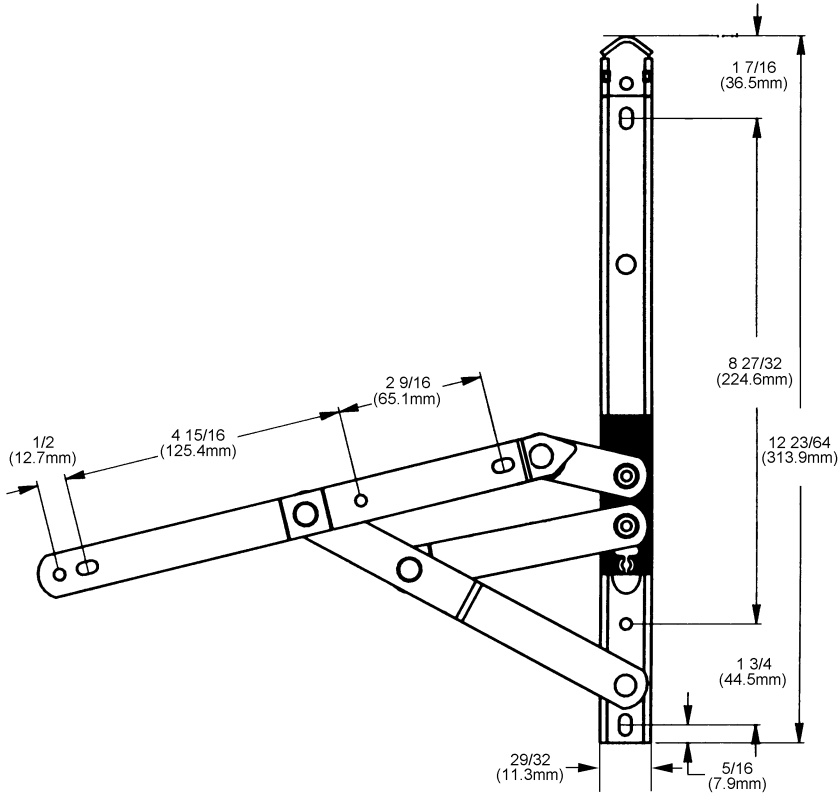
REPLACES: Truth 34-75 & 34-85. Washability casement hinge.

ORDERING INFORMATION: These Stainless Steel 4 Bar Hinges are non-handed. They are available in 50 pcs. to a box. Part # 234-085.

For further information contact us at our sales office. Address is given on the back of the brochure.

234 HEAVY DUTY 4 BAR HINGE

FIG. 1 HEAVY DUTY 4 BAR HINGE - 234-085



STACKUP HEIGHT: 5/8" (15.9mm)
OPENING: 75 DEGREES



P.O. Box 20144; Rochester, NY 14602-0144; USA
Toll free: (888) 880-DEAL (3325)

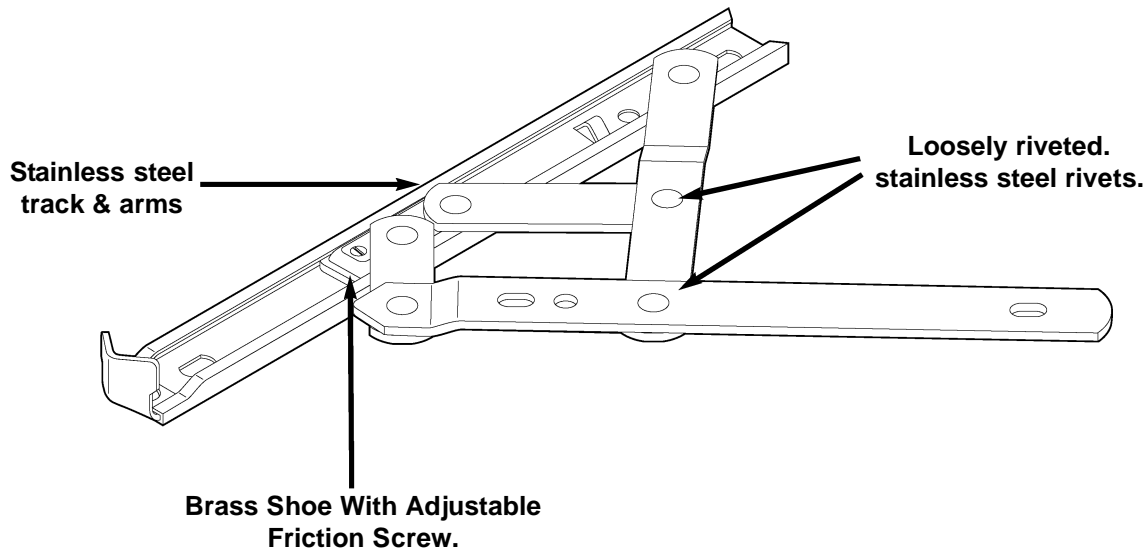
(c) 1998 DEAL International Inc. All rights reserved.
Suggestions of use should not be taken as inducement to infringe on patents. All specifications are subject to change without notice.

234 HEAVY DUTY 4 BAR HINGE



Awning **C**asement

Part # 234-008



This heavy duty stainless steel 4-Bar Hinge from DEAL is designed for use with awning, casement, and projected windows with sash weighing up to 90 lbs. (Awning & Projected). This hinge is designed to project the sash out as it pivots, allowing the sash profile to overlap the frame, giving a better seal for the window in the closed position.

Our heavy duty stainless steel 4-Bar Hinge is available in increment of 2" from 8" to 16". All hinges are designed to stop at 90 degree opening.

The brass shoe with a nylon glide insert has loosely riveted pivot points giving it frictionless operation for

casement windows. However, the level of friction can be adjusted by the turn of the friction screw, included in the shoe, for awning and projected window applications.

MATERIAL: Rivets, tracks and bars made of hardened 300 series stainless steel. Sliding shoe made of brass with nylon glide insert.

SCREWS: 6 - #10 Pan head stainless steel screws should be used per hinge. Length and thread will depend on each window profile. (Length and thread to be determined by profile design). We recommend that mounting screws should pass

through two vinyl walls or one vinyl and one insert wall.

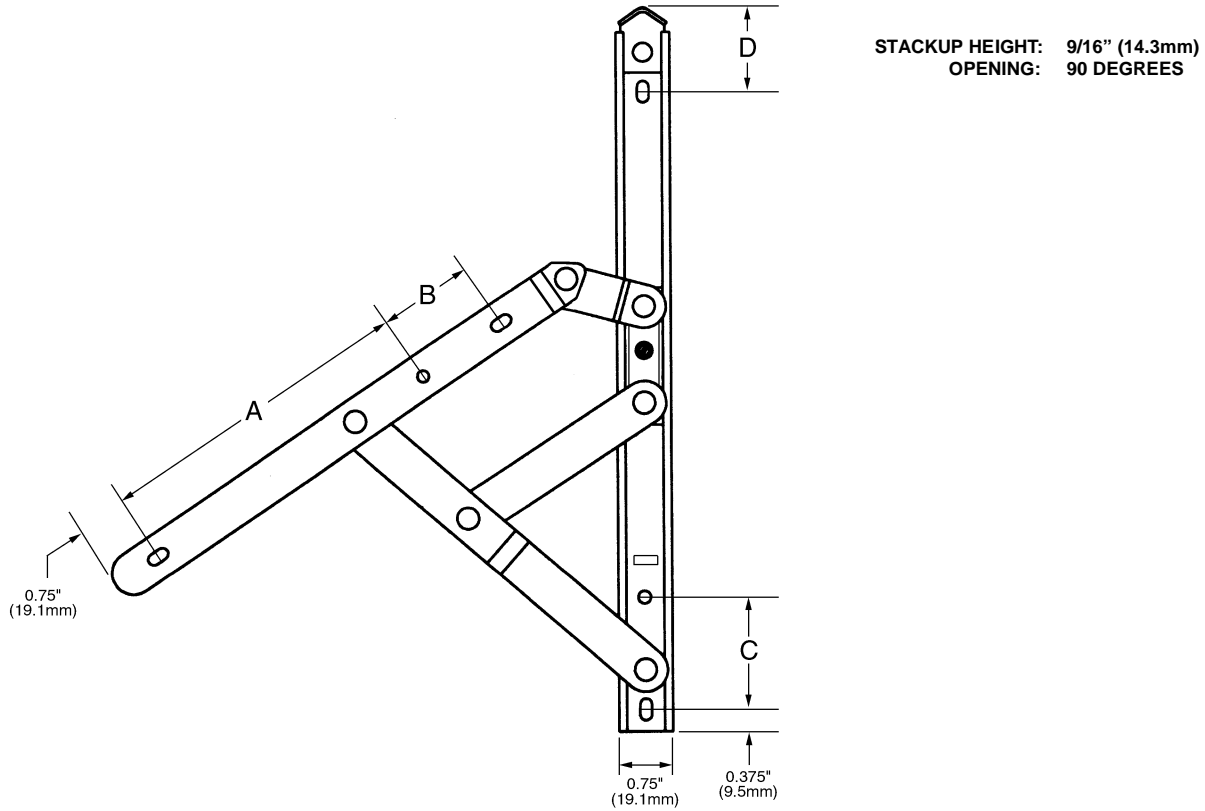
REPLACES: Most commercially available 4 Bar Hinges.

ORDERING INFORMATION: These Stainless Steel 4 Bar Hinges are non-handed. They are available in 50 pcs. to a box. Please check the other side of this brochure for part numbers for the size required.

For further information contact us at our sales office. Address is given on the back of the brochure.

234 HEAVY DUTY 4 BAR HINGE

FIG. 1 HEAVY DUTY 4 BAR HINGE 90 DEG. OPENING 234 SERIES



PART NO.	HINGE LENGTH	A	B	C	D
234-008	8" (203.2mm)	5.8" (147.3mm)	0.45" (11.4mm)	1.5" (38.1mm)	0.8" (20.3mm)
234-010	10" (254.0mm)	4.55" (115.6mm)	1" (25.4mm)	1.65" (41.9mm)	1.07" (27.2mm)



DEAL
 International Inc.

P.O. Box 10088; Rochester, NY 14610; USA

Toll free: (888) 880-DEAL (3325)

(c) 2002 DEAL International Inc. All rights reserved.

Suggestions of use should not be taken as inducement to infringe on patents. All specifications are subject to change without notice.