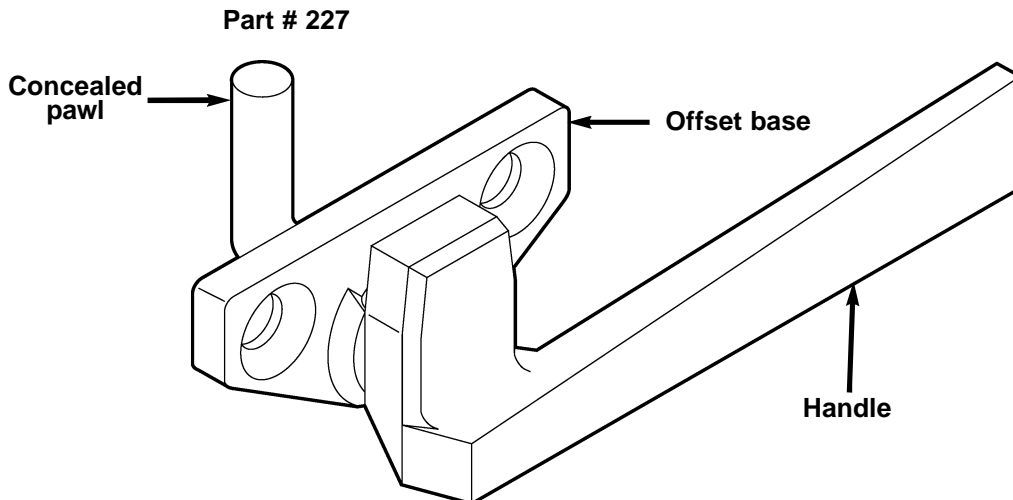


# 227 CAM HANDLE WITH CONCEALED PAWL



**A**wning **H**opper



This concealed pawl handle from DEAL is designed to provide internal lockup for in-swinging ventilators (top and bottom). A 90 degree rotation of the handle locks or unlocks vent.

A range of pawl sizes and various keeper designs are available to accommodate most window profiles.

We can custom design the pawl or keeper. Custom color matching is also available.

**MATERIAL:** Base and handle is made of high pressure zinc die-cast which is powder coated to resist weathering, chipping and flaking.

The pawl is phosphate plated and the keepers are made of non-magnetic stainless steel.

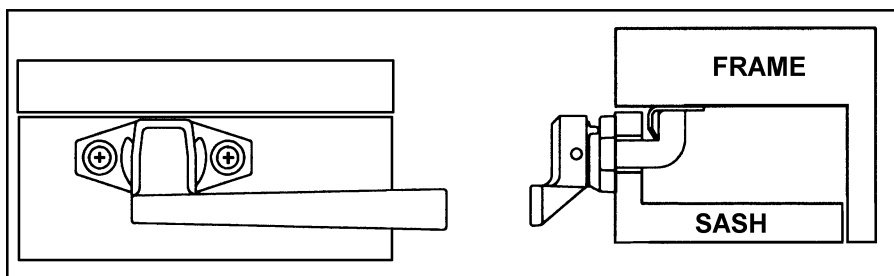
**REPLACES:** Truth 27 series trim-line cam handle with concealed pawl.

**ORDERING INFORMATION:**

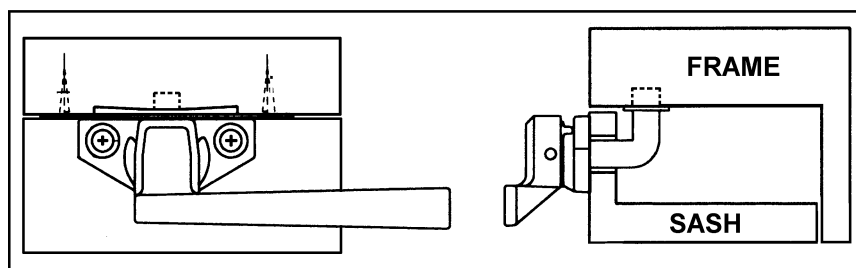
Choose style of pawl required and specify part number (see other side of brochure for part numbers). Specify color required.

For custom handles or for further information contact us at our sales office. Address is given on the back of the brochure.

**APPLICATIONS:**



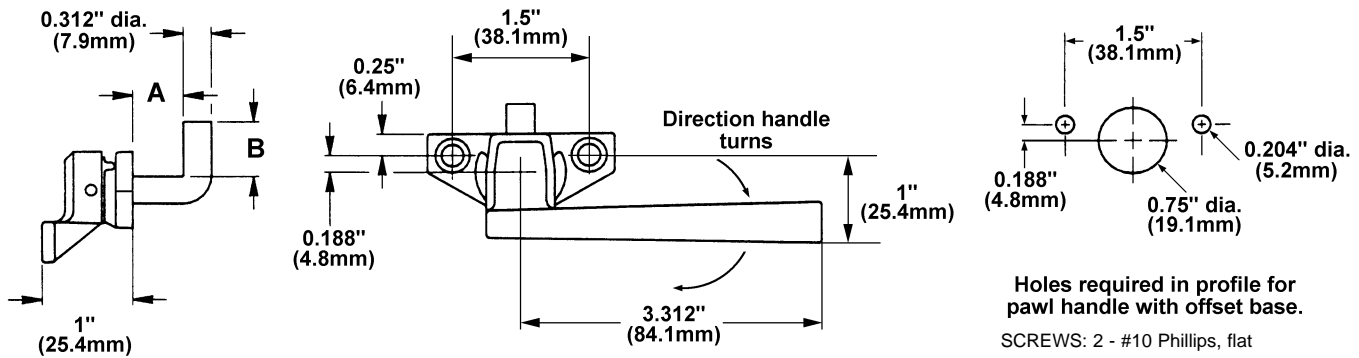
Awning and Hopper / Basement window application.



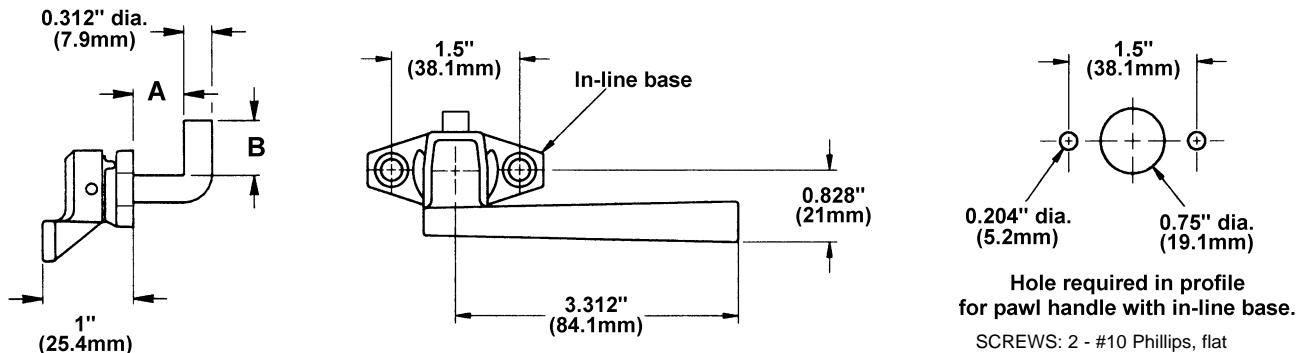
Awning and Hopper / Basement window application.

# 227 CAM HANDLE WITH CONCEALED PAWL

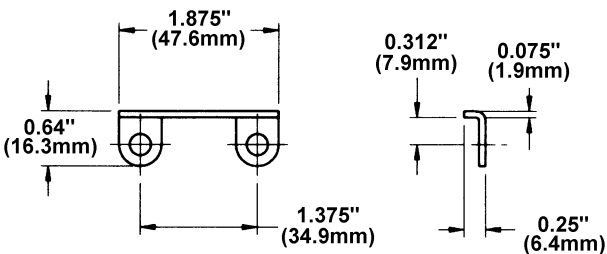
**FIG.1 PAWL HANDLE WITH OFFSET BASE - 227 SERIES**



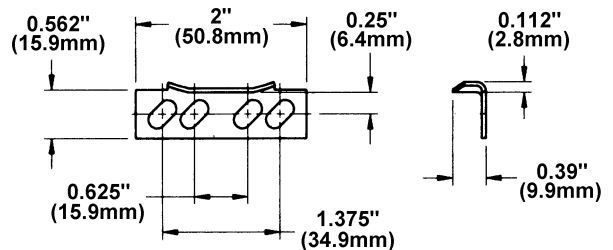
**FIG.2 PAWL HANDLE WITH IN-LINE BASE - 227 SERIES**



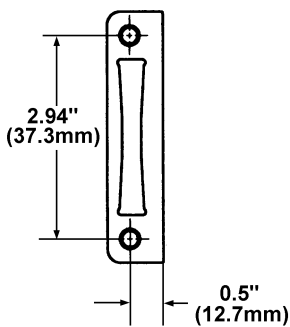
**FIG.3 KEEPER (299-20303)**



**FIG.4 KEEPER (299-30238)**



**FIG.5 KEEPER (299-30569)**



| PART NO. | B       | A       |
|----------|---------|---------|
| 227-004  | 5 / 8   | 13 / 32 |
| 227-013  | 7 / 32  | 7 / 16  |
| 227-014  | 7 / 32  | 1 / 2   |
| 227-015  | 11 / 32 | 1 / 2   |



P.O. Box 10088; Rochester, NY 14610; USA  
Toll free: (888) 880-DEAL (3325)

(c) 1998 DEAL International Inc. All rights reserved.  
Suggestions of use should not be taken as inducement to infringe on patents. All specifications are subject to change without notice.