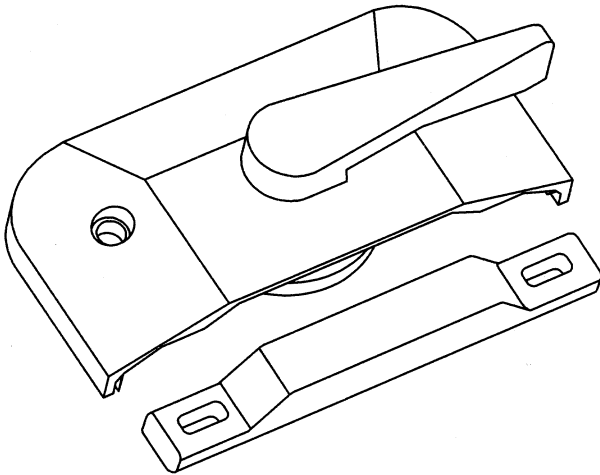


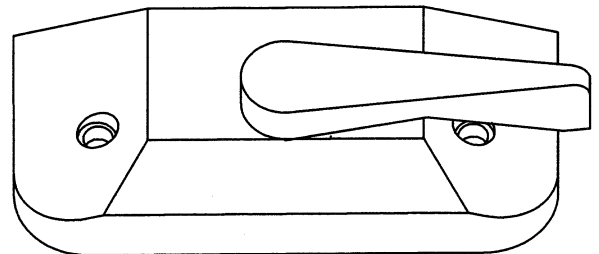
218 STEALTH SASH LOCK



Single Hung **D**ouble hung



PART NO: 218-100



DEAL is excited to introduce the new stealth sash lock for single and double hung windows. This design takes form and function to a new level of design.

This lock is designed with a low profile and a stealth keeper. The lock body covers the keeper to make the lock look like a single piece. This also allows the lock to align the keeper and the sash with up to 1/16" mis-alignment.

The body and the keeper are made of thick walls to give it the strength required to accept large forces required while closing the lock.

The keeper is designed with a slot for screw holes, so that it can be adjusted in production.

This lock uses a cam that pulls the sash together 0.125" and lifts the two sash close by 0.156". Various colors are available.

MATERIAL: Lock and keeper are made of high pressure zinc die-cast which is powder coated to resist weathering, chipping and flaking.

REPLACES: Truth 700 series check rail lock

ORDERING INFORMATION:
218-100 Choose the color and keeper required.

218 STEALTH SASH LOCK

FIG.1 STEALTH SASH LOCK - 218-100

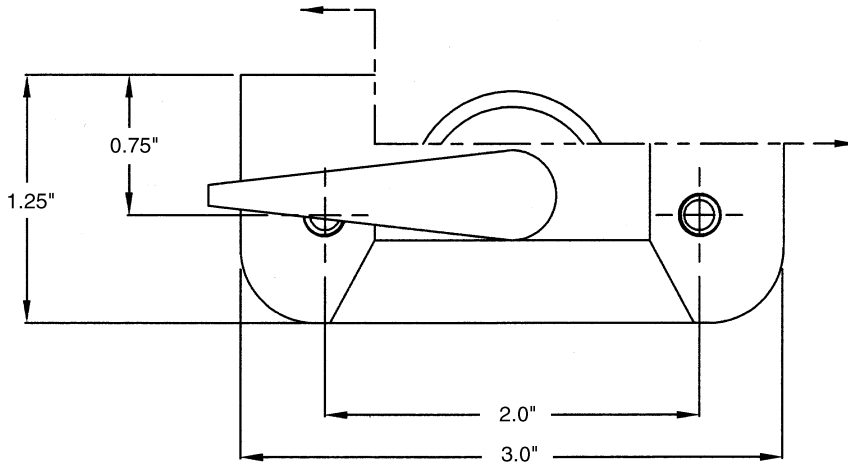
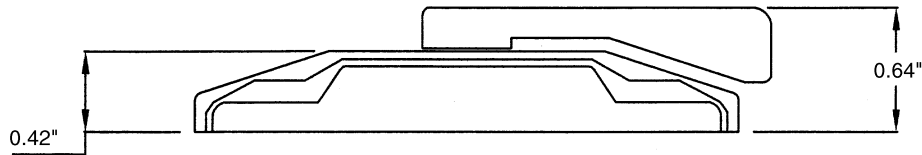


FIG.2 STEALTH SASH LOCK - 218-100



RECOMMENDED SCREWS:

WOOD WINDOWS: 2 - #6 Phillips, flat head, shank slotted, sheet metal screws.

VINYL/METAL WINDOWS: 2 - #6 Phillips, flat head screws. Length to be determined by vinyl profile.
Screw has to pass through two vinyl walls.



P.O. Box 10088; Rochester, NY 14610; USA
Toll free: (888) 880-DEAL (3325)

(c) 2004 DEAL International Inc. All rights reserved.
Suggestions of use should not be taken as inducement to infringe on patents. All specifications are subject to change without notice.