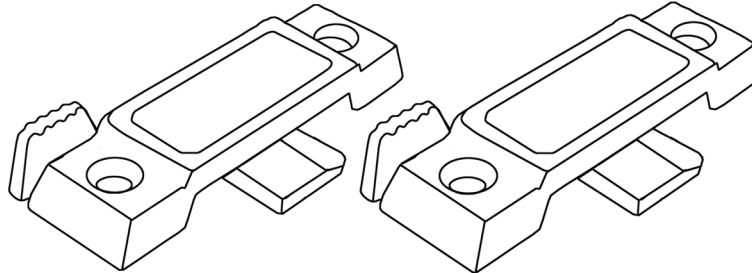


# 217 SWEEP LOCK



**S**ingle Hung   **D**ouble hung



These surface mount, price competitive sweep locks are designed to make the manufacturing of windows easy and very inexpensive.

The flat tongue on the lock is designed to sit in a groove that can be routed in the receiving sash. No keeper is required.

The CAM on the tongue lifts the two sash close by 0.156". The lock comes in various tongue lengths.

This lock is available in various colors. If you need a keeper for an application, we can tool up to meet your requirements.

**MATERIAL:** Lock and keeper are made of high pressure zinc die-cast which is powder coated to resist weathering, chipping and flaking.

**REPLACES:** Standard Sweep Locks from various manufacturers.

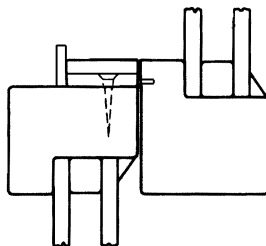
## ORDERING INFORMATION:

Part Number is 217-100-XX (XX is the color required). Choose the color and keeper required.

If you need special keeper, please contact us at our sales office. Address is given on the back of the brochure.

---

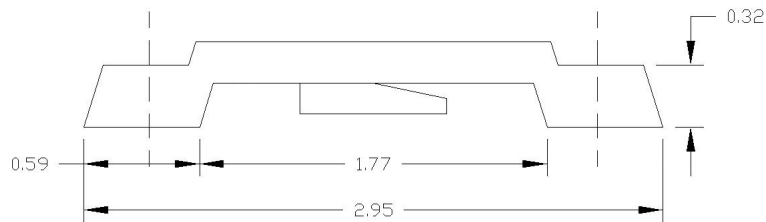
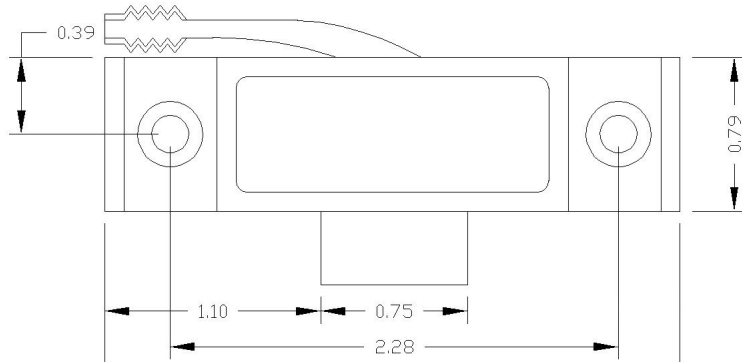
## APPLICATIONS:



Single or Double hung window application (wood or vinyl)

# 217 SWEEP LOCK

FIG.1 SWEEP LOCK 217-100



## RECOMMENDED SCREWS:

WOOD WINDOWS: 2 - #6 Phillips, flat head, shank slotted, sheet metal screws.

VINYL/METAL WINDOWS: 2 - #6 Phillips, flat head screws. Length to be determined by vinyl profile.  
Screw has to pass through two vinyl walls.



**DEAL**  
International Inc.

P.O. Box 10088; Rochester, NY 14610; USA

Toll free: (888) 880-DEAL (3325)

(c) 2006 DEAL International Inc. All rights reserved.

Suggestions of use should not be taken as inducement to infringe on patents. All specifications are subject to change without notice.