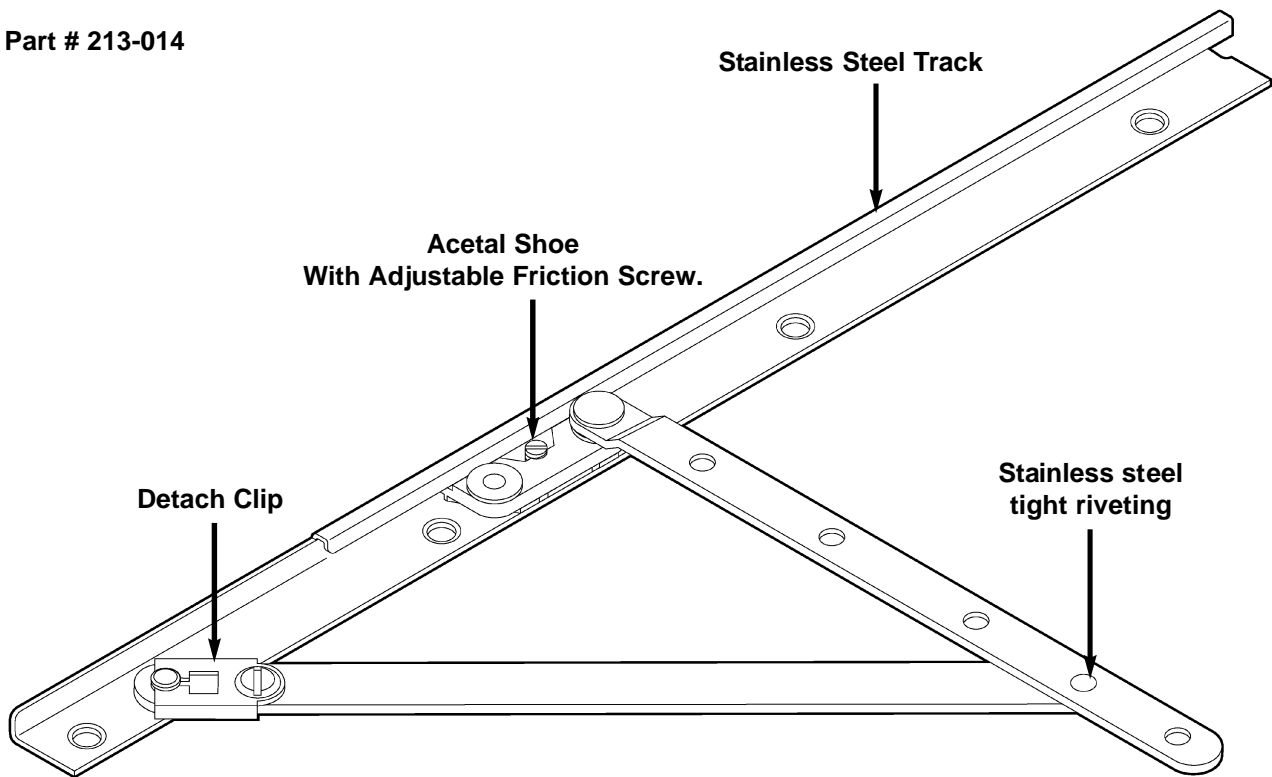


## 213 AWNING HINGES



**A**wning **H**opper

Part # 213-014



These awning hinges from DEAL are designed to balance the sash as it opens to give you a smooth and effortless operation. The stainless steel track and self cleaning acetal shoe allow for years of trouble free operations.

The sash bars are tightly riveted to create resistance to help balance the sash. To further increase friction, an adjustment screw is included in the acetal shoe. The detachable clip allows for easy and quick assembly of sash to the window.

A complete range of hinge sizes are available for all your sash weight and size requirements. We recommend that you match the size and weight of the sash to the size of the hinge. The table on the other side will help you in your selection.

**MATERIAL:** Stainless steel track and detach clip, heavy gauge, cold rolled steel or stainless steel sash arms and stainless steel reinforced acetal low-friction shoe.

### **SCREWS:**

#### SS Track

#7 Phillips flat head undercut stainless steel sheet metal screws. The number of screws will vary depending on the size of hinge.

#### Sash Arm

4 - #7 Phillips flat head sheet metal screws. We recommend stainless steel screws while using stainless steel bars.

**RECOMMENDATIONS:** If you use a hinge for a window larger than recommended there can be "chatter" while using an operator. The hinge could fail before reaching an

opening of 90 degrees. If chatter is not a concern and the opening can be limited to below 45 degree, then any 213 series hinge can be used for sash of up to 42 inches and/or 61 lbs.

Mounting screws should pass through two vinyl walls or one vinyl and one insert wall.

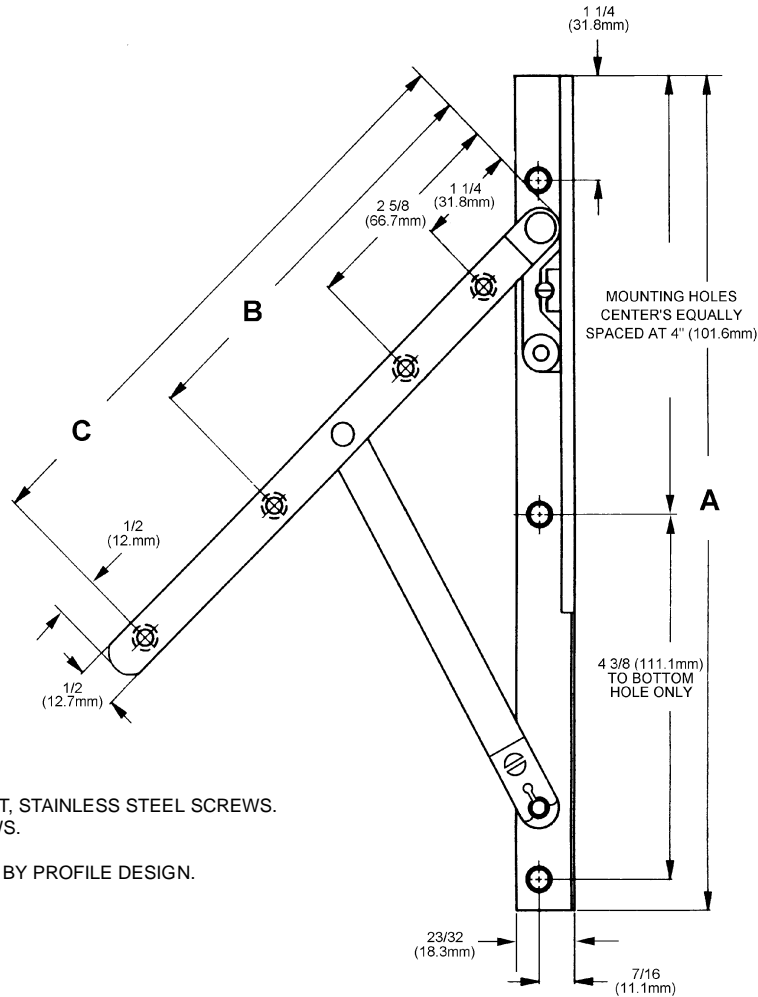
**REPLACES:** Truth #13 series awning hinges.

### **ORDERING INFORMATION:**

Choose the hinge style required from the table on the other side of the brochure. These hinges are sold in pairs.

For further information contact us at our sales office. Address given on the other side of brochure.

**FIG. 1 AWNING HINGE**



**RECOMMENDED SCREWS:**

TRACK: #7 PHILLIPS FLAT HEAD, UNDERCUT, STAINLESS STEEL SCREWS.  
 SASH ARM: #7 PHILLIPS FLAT HEAD SCREWS.

LENGTH AND THREAD TO BE DETERMINED BY PROFILE DESIGN.

PART NUMBER FOR ARMS TYPE:		RECOMMENDED SASH HEIGHT	MAX. SASH WEIGHT	A TOT. LENGTH	B	C	Hinge 213-015 (26") has an extra screwhole on the sash supporting arm. The hole distance measured the same as "B" & "C" is given below.	REPLACES TRUTH PART
STEEL	SS							
213-013	213-043	10" - 14" (254.0mm - 355.6mm)	7 LBS (3.2 KGS)	10" (254.0mm)	4 1/4 (108.0mm)	6 1/4 (158.8mm)		STEEL: 13-13 SS: 13-43
213-014	213-044	14" - 19" (233.6mm - 482.6mm)	20 LBS (9.1 KGS)	14" (355.6mm)	4 1/4 (108.0mm)	6 1/4 (158.8mm)		STEEL: 13-14 SS: 13-44
213-015	213-042	19" - 26" (482.6mm - 660.4mm)	38 LBS (17.3 KGS)	18" (457.2mm)	6 1/4 (158.8mm)	8 1/4 (209.6mm)		STEEL: 13-15 SS: 13-42
213-016	213-045	26" - 34" (660.4mm - 863.6mm)	50 LBS (22.7 KGS)	22" (558.8mm)	6 1/4 (158.8 mm)	10 1/4 (260.4mm)		STEEL: 13-16 SS: 13-45
213-017	N/A	34" - 42" (863.6mm - 1066.8mm)	61 LBS (27.7 KGS)	26" (660.4mm)	5 7/16 (138.1mm)	8 1/4 (209.6mm)		STEEL: 13-17 SS: N/A

**NOTE:** ALL TRACKS FOR PARTS IN TABLE ARE STAINLESS STEEL.



P.O. Box 10088; Rochester, NY 14610; USA  
 Toll free: (888) 880-DEAL (3325)

(c) 1999 DEAL International Inc. All rights reserved.

Suggestions of use should not be taken as inducement to infringe on patents. All specifications are subject to change without notice.